



Model 72T Temperature Controller



The 72T Temperature Controller , is a 1 setpoint controller , with an analogue setting

To set the setpoint simply adjust the front pointer to the desired temperature

Physical Dimensions

Bezel Size 73 x 73 mm
Cutout Size 66 x 66 mm
Depth 80 mm

Ranges

Pt100 0 - 50 'C
Pt100 0 - 100'C
Type J 0 - 200'C
Type J 0 - 300'C
Type J 50 - 450'C
Type K 0 - 1300'C

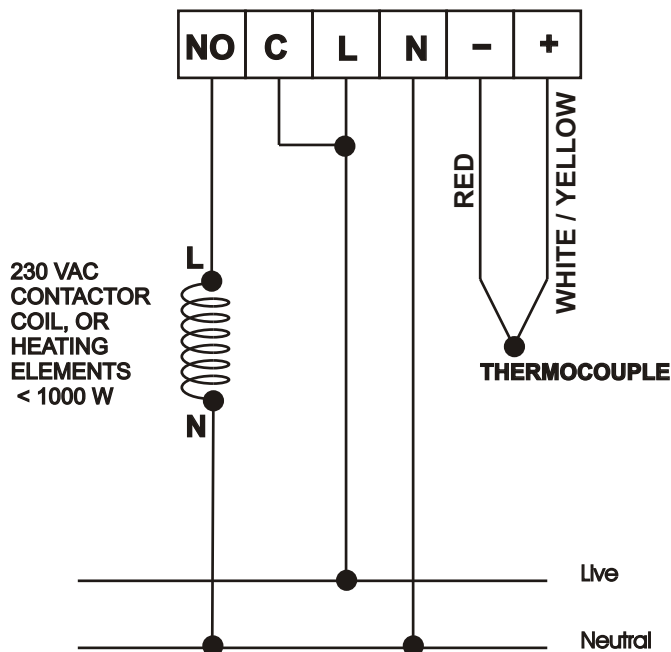
Supply Voltage

380 VAC , 230 VAC , 115 VAC
110 VDC , 24 VDC , 12 VDC

Current Consumption

+/- 10 mA @ 230 VAC

WIRING DIAGRAM FOR THERMOCOUPLE MODELS : 48T, 72T, 271



WIRING DIAGRAM FOR PT100 MODEL : 72T

