



# Model 681P / J / K Temperature Controller



The 681 P / J / K Temperature Controller , is a 1 setpoint indicating temperature controller

To set setpoint 1 , push (**PUSH 1**) to see the setpoint, then adjust the setpoint by turning the (**SET 1**) pot.

To adjust the controlling band , simply adjust the front ( **SPEED** ) pot

## Physical Dimensions

Bezel Size     48 x 48 mm  
Cutout Size    45 x 45 mm  
Depth           125 mm

## Ranges

Pt100    0 - 200,0 °C  
Pt100    0 - 400°C  
Type J    0 - 600°C  
Type K    0 - 1300°C

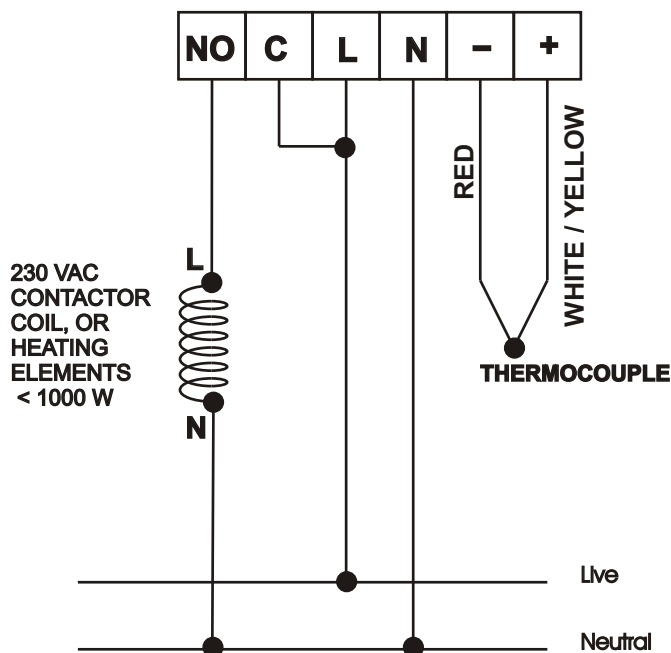
## Supply Voltage

380 VAC , 230 VAC , 115 VAC  
110 VDC , 24 VDC , 12 VDC

## Current Consumption

+/- 16 mA @ 230 VAC

**WIRING DIAGRAM FOR THERMOCOUPLE MODELS : 48T, 72T, 271, 681J/K**



**WIRING DIAGRAM FOR PT100 MODEL : 681P**

