

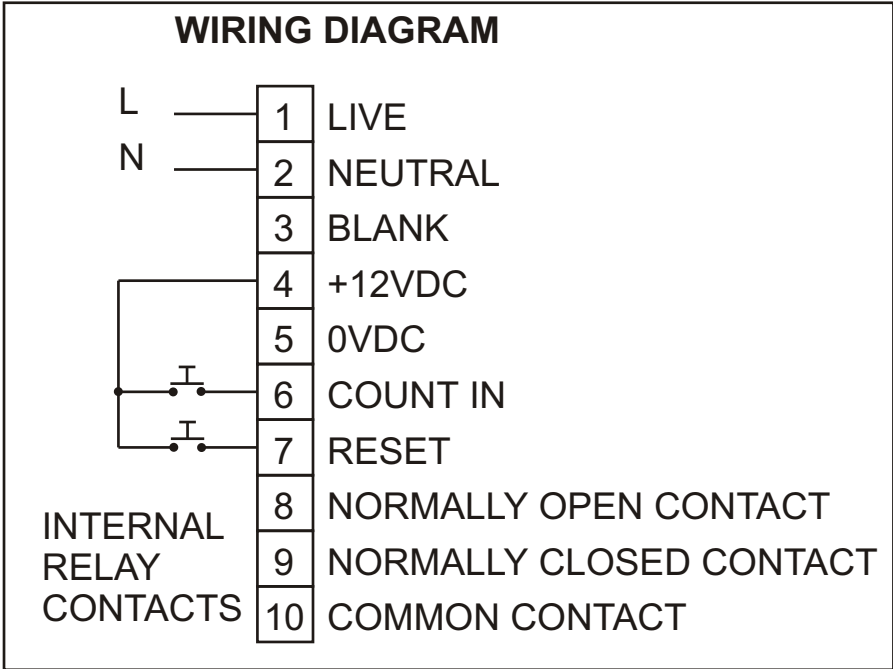


# Model 489PSET Counter / Timer



TIMER / COUNTER								
DIPSWITCH	1	2	3	4	5	6	7	8
TIMER	x	x	x	x	x	x	x	1
COUNTER	x	x	x	x	x	x	x	0
AUTO RESET	x	x	x	x	x	0	x	x
MANUAL RESET	x	x	x	x	x	1	x	x

COUNTER OPTIONS								
DIPSWITCH	1	2	3	4	5	6	7	8
HIGH SPEED	x	x	x	x	1	x	x	x
LOW SPEED	x	x	x	x	0	x	x	x
UP COUNT	x	x	x	x	x	x	0	0
DOWN COUNT	x	x	x	x	x	x	1	0
COUNT / 1	0	0	0	0	x	0	x	0
COUNT / 2	1	0	0	0	x	0	x	0
....								
COUNT / 15	0	1	1	1	x	0	x	0
COUNT / 64	1	1	1	1	x	1	x	0



TIMER OPTIONS								
DIPSWITCH	1	2	3	4	5	6	7	8
S.SSS	0	0	0	0	x	x	x	1
SS.SS	1	0	0	0	x	x	x	1
SSS.S	0	1	0	0	x	x	x	1
SSSS	1	1	0	0	x	x	x	1
MM:SS	0	0	1	0	x	x	x	1
MMMM	1	0	1	0	x	x	x	1
HH:MM	0	1	1	0	x	x	x	1
HH:HH	1	1	1	0	x	x	x	1
HHHH	0	0	0	1	x	x	x	1
HHHH x10	1	0	0	1	x	x	x	1

### TO SET SETPOINT VALUE

PRESS PRE SET DISP/SET UNITS DIGIT FLASHES AFTER 3 SECONDS  
 PRESS ADJ TO INCREMENT FLASHING DIGIT  
 PRESS PRE SET DISP/SET TO MOVE TO THE NEXT DIGIT

### TO SET RELAY ON TIME (1/10'S OF A SECOND)

PRESS RELAY DISP/SET UNITS DIGIT FLASHES AFTER 3 SECONDS  
 PRESS ADJ TO INCREMENT FLASHING DIGIT  
 PRESS RELAY DISP/SET TO MOVE TO THE NEXT DIGIT

