



Model 401 P / J / K Temperature Controller



The 401P/J/K Temperature Controller , is a 1 setpoint controller , with an analogue setting

To set the setpoint simply adjust the front pointer to the desired temperature

To adjust the controlling band , simply adjust the front (SPEED) pot

Physical Dimensions

Bezel Size 97 x 97 mm
Cutout Size 91 x 91 mm
Depth 120 mm

Ranges

Pt100 0 - 50 °C
Pt100 0 - 100°C
Pt100 0 - 250°C
Type J 0 - 200°C
Type J 0 - 300°C
Type J 50 - 450°C
Type K 0 - 1300°C

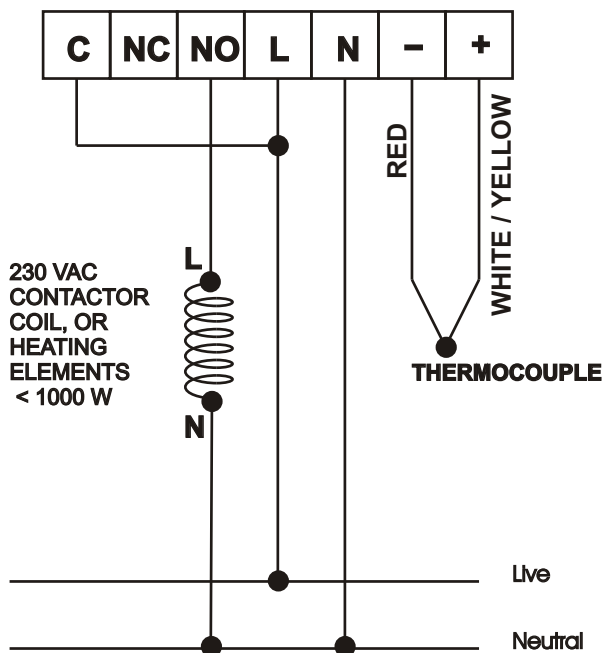
Supply Voltage

380 VAC , 230 VAC , 115 VAC
110 VDC , 24 VDC , 12 VDC

Current Consumption

+/- 9 mA @ 230 VAC

WIRING DIAGRAM FOR THERMOCOUPLE MODELS : 601J/K ,641HJ/K, 641VJ/K, 301J/K, 401J/K AND 671J/K



WIRING DIAGRAM FOR PT100 MODELS : 601P ,641HP, 641VP, 301P, 401P AND 671P

