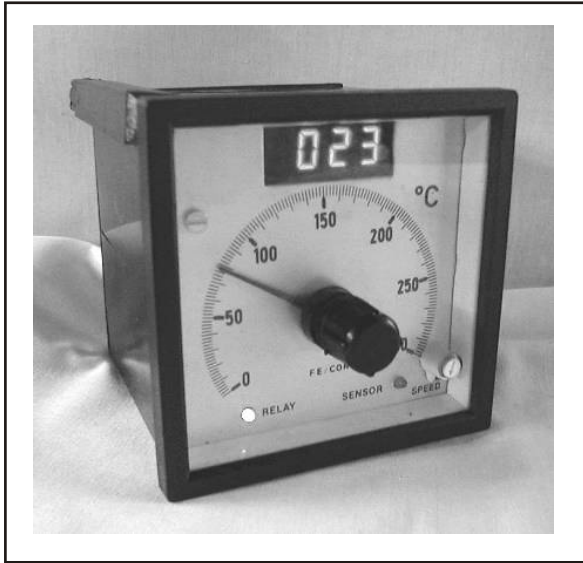




# Model 301 P / J / K Temperature Controller



The 301P/J/K Temperature Controller , is a 1 setpoint , digital indicating temperature controller , with an analogue setting

To set the setpoint simply adjust the front pointer to the desired temperature

To adjust the controlling band , simply adjust the front ( SPEED ) pot

### Physical Dimensions

Bezel Size      97 x 97 mm  
Cutout Size    91 x 91 mm  
Depth            120 mm

### Ranges

Pt100    0 - 50 'C  
Pt100    0 - 100'C  
Pt100    0 - 250'C  
Type J    0 - 200'C  
Type J    0 - 300'C  
Type J    50 - 450'C  
Type K    0 - 1300'C

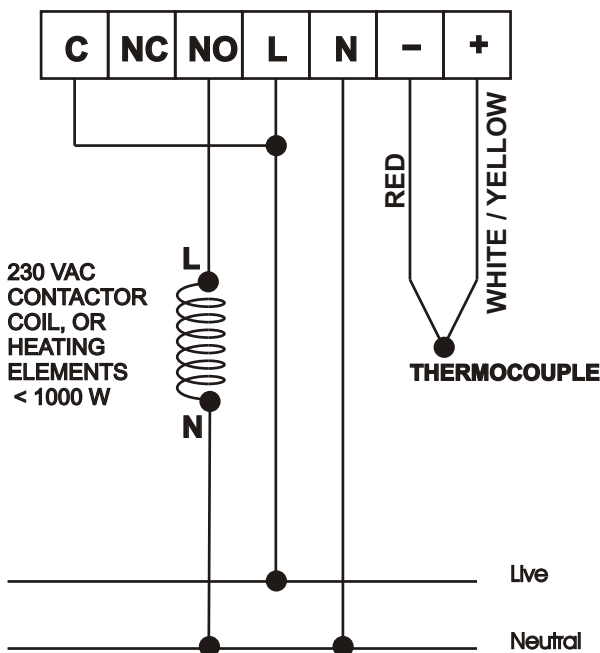
### Supply Voltage

380 VAC , 230 VAC , 115 VAC  
110 VDC , 24 VDC , 12 VDC

### Current Consumption

+/- 12 mA @ 230 VAC

**WIRING DIAGRAM FOR THERMOCOUPLE MODELS : 601J/K ,641HJ/K, 641VJ/K, 301J/K, 401J/K AND 671J/K**



**WIRING DIAGRAM FOR PT100 MODELS : 601P ,641HP, 641VP, 301P, 401P AND 671P**

