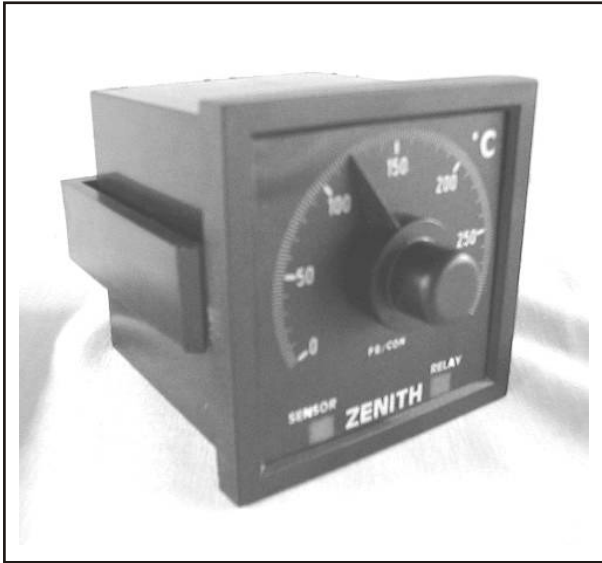




# Model 72T Temperature Controller



The 72T Temperature Controller, is a 1 setpoint controller, with an analogue setting

To set the setpoint simply adjust the front pointer to the desired temperature

### Physical Dimensions

Bezel Size      73 x 73 mm  
Cutout Size    66 x 66 mm  
Depth            80 mm

### Ranges

Pt100    0 - 50 °C  
Pt100    0 - 100 °C  
Type J    0 - 200 °C  
Type J    0 - 300 °C  
Type J    50 - 450 °C  
Type K    0 - 1300 °C

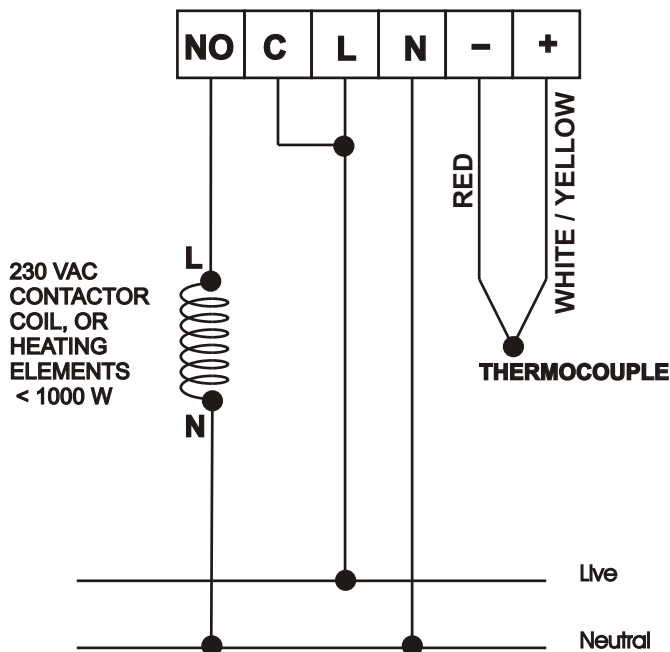
### Supply Voltage

380 VAC, 230 VAC, 115 VAC  
110 VDC, 24 VDC, 12 VDC

### Current Consumption

+/- 10 mA @ 230 VAC

**WIRING DIAGRAM FOR THERMOCOUPLE MODELS : 48T, 72T, 271**



**WIRING DIAGRAM FOR PT100 MODEL : 72T**

