



Model 722DTIM Timer



DESCRIPTION

Time selected from 0.1 seconds to 99 hours in 6 overlapping time ranges

Microprocessor based 2 Digit display for accurate setting of time

Elapsed, or remaining time can be displayed

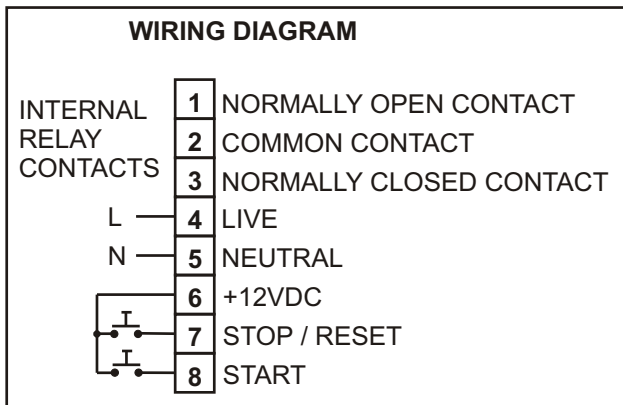
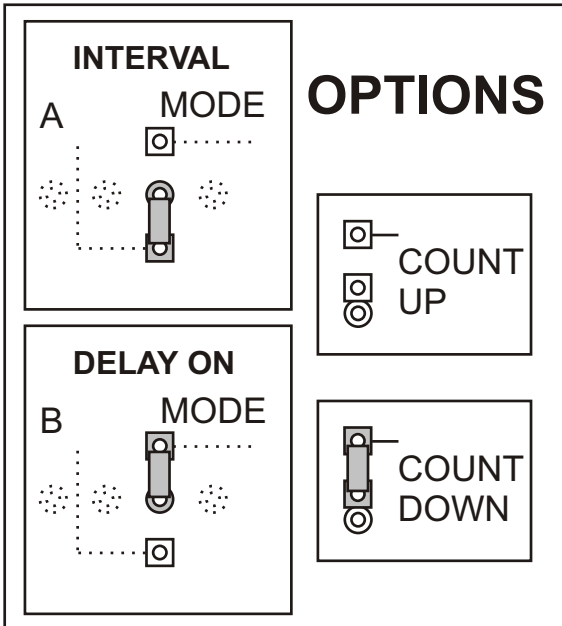
Relay energised on contact closure, and falls out on completion of timing cycle, or relay energised after preset time has been completed

Flashing led indicates timing is in progress. Flashing rate increases as timing period is about to end

Models

Currently Available in 72 x 72 mm, soon to be available in 96 x 96 mm, 48 x 48 mm 22,5 mm wide Din Rail housing and 11 pin plug in housing

Can be controlled from push buttons on the front of the instrument or from remote push buttons connected to terminals on the back of the instrument



Technical Specifications

Time Ranges

- 0.1 to 9.9 Seconds
- 1 to 99 Seconds
- 0.1 to 9.9 Minutes
- 1 to 99 Minutes
- 0.1 to 9.9 Hours
- 1 to 99 Hours

Setting Accuracy

+/- 1 digit

Power Consumption

3 VA