



Model 681P / J / K Temperature Controller



The 681 P / J / K Temperature Controller , is a 1 setpoint indicating temperature controller

To set setpoint 1 , push (**PUSH 1**) to see the setpoint, then adjust the setpoint by turning the (**SET 1**) pot.

To adjust the controlling band , simply adjust the front (**SPEED**) pot

Physical Dimensions

Bezel Size 48 x 48 mm
Cutout Size 45 x 45 mm
Depth 125 mm

Ranges

Pt100 0 - 200,0 °C
Pt100 0 - 400°C
Type J 0 - 600°C
Type K 0 - 1300°C

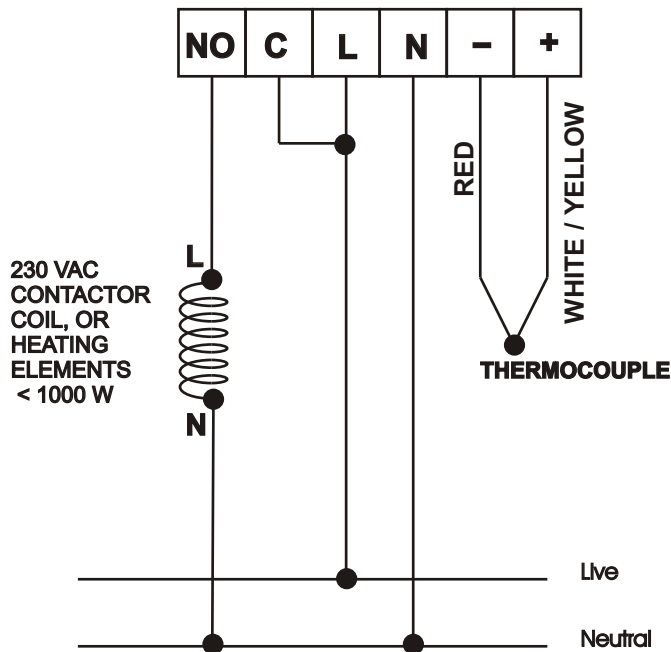
Supply Voltage

380 VAC , 230 VAC , 115 VAC
110 VDC , 24 VDC , 12 VDC

Current Consumption

+/- 16 mA @ 230 VAC

WIRING DIAGRAM FOR THERMOCOUPLE MODELS : 48T, 72T, 271, 681J/K



WIRING DIAGRAM FOR PT100 MODEL : 681P

